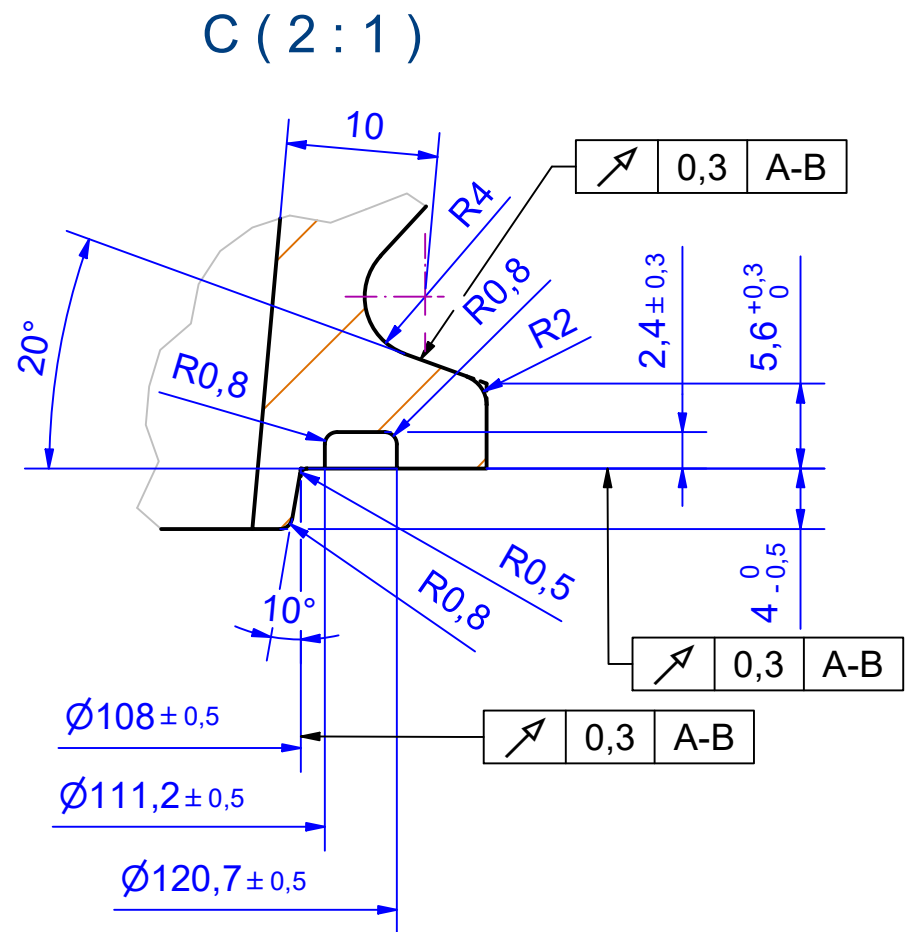
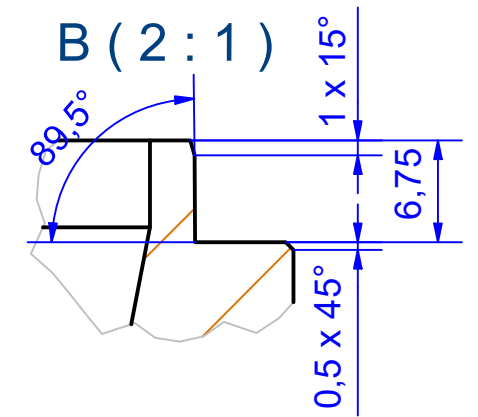
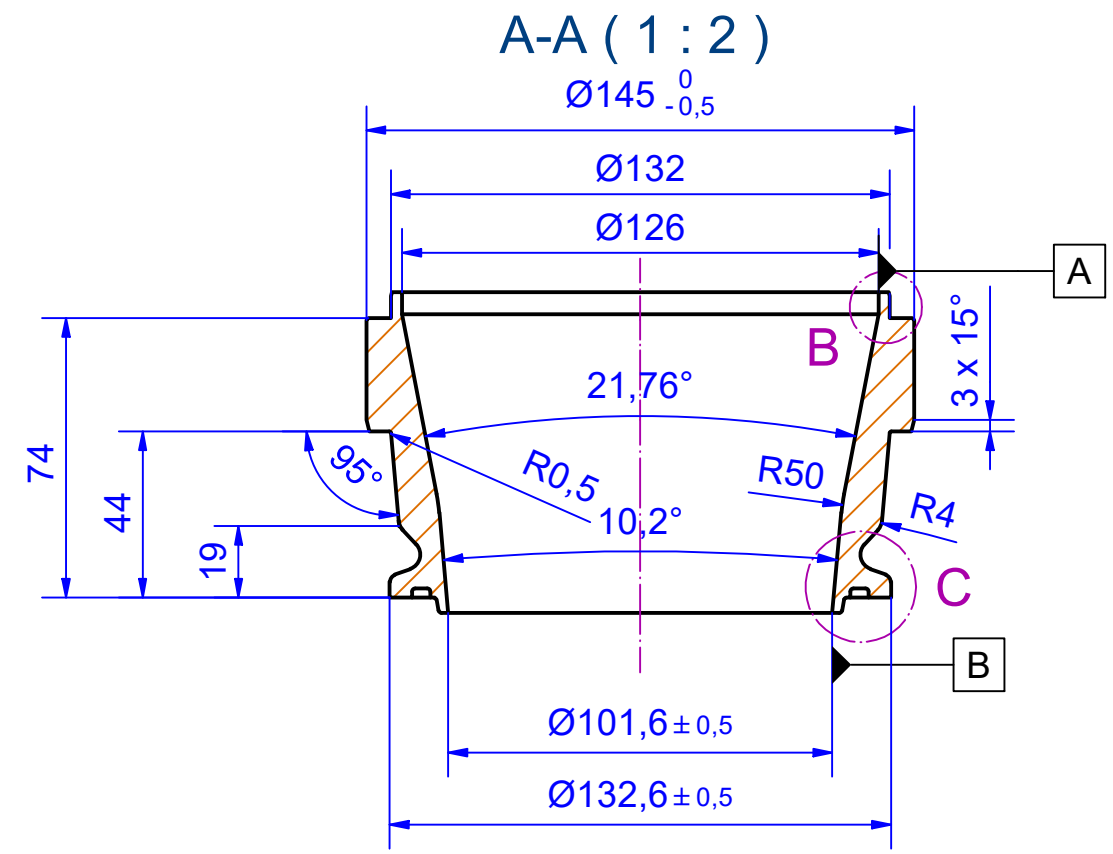
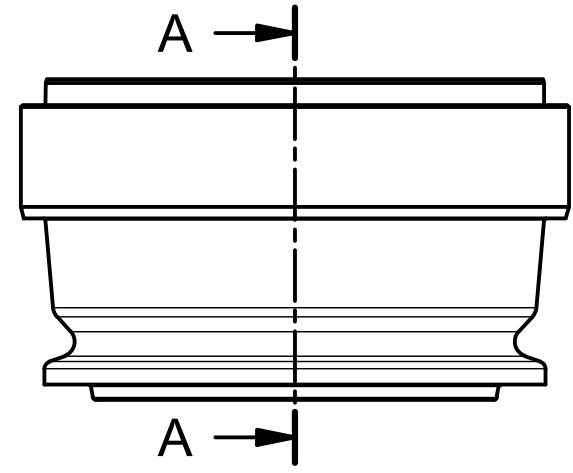


Confidential, all rights reserved ISO 16016
 The reproduction, distribution and utilization of this document as well as the communication of its contents to others without express authorization is prohibited. Offenders will be held liable for the payment of damages. All rights reserved in the event of the grant of a patent, utility model or design.



$\sqrt{\text{Ra}3,2}$

Rev. Index	No. of times	Rev. no.	Rev. descr. (shop and eng. info only)	Name: Dr.	Date: Appr.	Name: Appr.
ISO 13715 $\sqrt{+1,6}$ $\sqrt{-0,2}$			Codeword		Scale of orig. 1:2	
If no other general tolerance applies: Dim. ≤ 4000 mm ISO 2768-m > 4000 mm DIN 7168-m			Title		Weight 0,313 kg	
Geo-metr. tol. ≤ 3000 mm ISO 2768-H-E > 3000 mm DIN 7168-T			Dr. 2020-06-03 EISENHS		Title adapter	
Welding parts ISO 13920-BF			Ch. Appr. Dept. R82		Drawing no. 1445-018149	
Gen. tol. thermal cuts (incl. water cutting) ISO 9013-442			Release note Drawing still being processed		Rev. -	
			VOITH		Sheet 1	
			Inventor drawing 21		1 Sh.	
			Production drawing		A3	
			Orig. 1445-018143			